

# SEMI-AUTOMATIC CARTON SEALING MACHINES



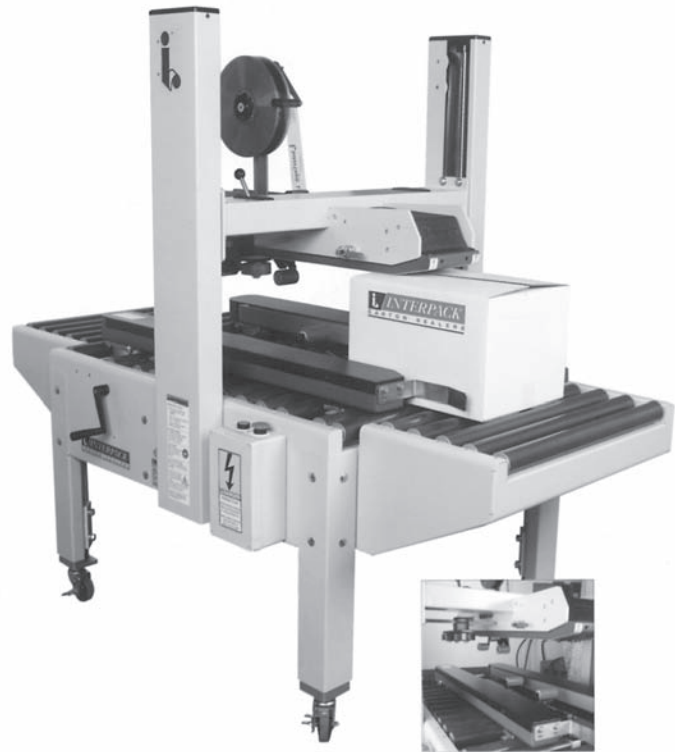
## USA Series

### USA 2024-SB

#### Side-Belt Drive

Side belt drive is an upgraded drive style. It captures the case between two moving belts reducing downward force on the case during processing. The USA 2024-SB is an ideal choice for processing narrow, lightweight, or void filled cases. Its selectable, floating upper assembly is perfect to process compressible overfills. With features like tilt-up top tape head, interchangeable 2" or 3" taping heads, standard top squeezers, adjustable infeed guides to retain the case during packing, reversible operator controls and telescopic leg extensions, the USA 2024-SB surpasses the competition and provides an affordable upgrade to world class performance.

\*Shown with optional pack tables & casters



## RSA Series

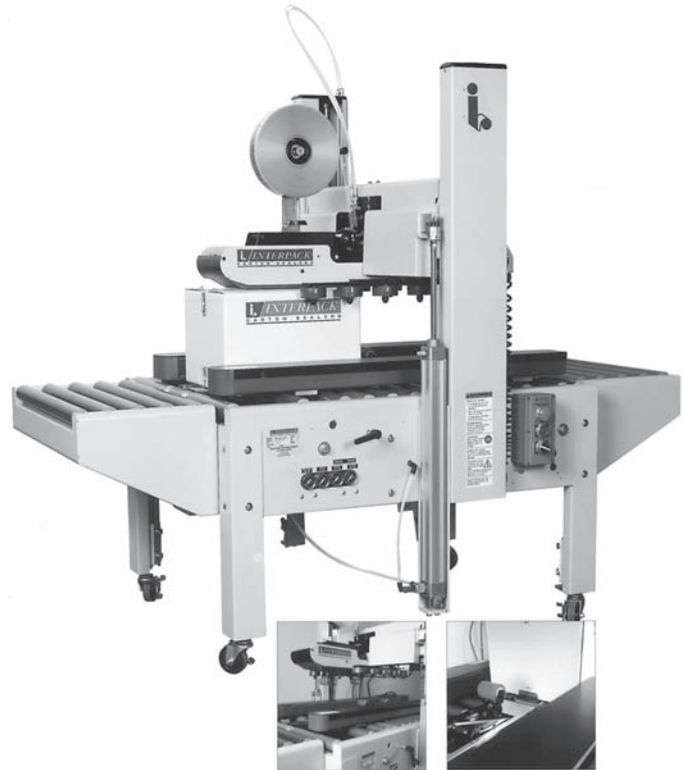
### Random Semi-Automatic\*

Interpack's® RSA Series case sealers are operator fed machines that automatically adjust for the width and height of each case processed. When your production delivers different sized cases to be processed through a single case sealer, an Interpack Random Semi-Automatic Case Sealer is your answer.

Interpack offers a RSA series machine for every application. Whether you need to process small, large, light or heavy cases, we can provide the most effective solution. Complete your selection with an extensive list of unique standard options such as random top squeezers, foot pedal bypass or even automatic operations.

#### Features

- Dual column construction for maximum processing reliability
- Offset taping heads can process cases as low as 2" tall
- HSD® 2000-ET II Second Generation advanced taping head
- 1/3 HP gearmotors drive the bottom belts or side belts
- Self-tensioning & self-tracking belt drive
- Full-featured performance provides flexibility



**Available in Stainless Steel for Food Application**

Ask us about our  
**"No-charge tape head program"** and our **"Tape incentive machine discount"**

# AUTOMATIC CARTON SEALING MACHINES



## Outstanding Performance

Interpack's quality engineering and unique modular construction deliver long-lasting, dependable and cost effective machines.

- Dual columns ensure maximum carton processing stability and precise tape dispensing.
- Heavy-gauge sheet metal components are formed and welded to provide structural strength and long lasting performance.
- CSA and UL approved components ensure low maintenance and reliable operation day after day.
- "Slide and Lock" adjustments provide rapid carton size setup and quick access to bottom tape head roll, minimizing downtime.
- A wide variety of drive styles include: side belt, bottom belt, or top & bottom to process a broad range of applications.

## UA Series

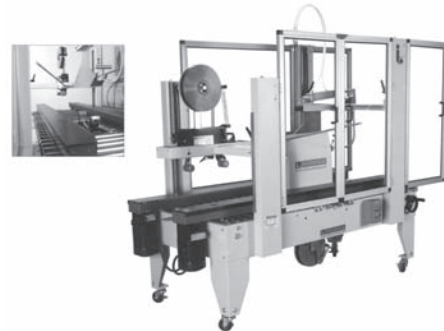
### Uniform Automatic\*

Interpack's™ UA Series Uniform Automatic Case Sealers are operator-free machines that process same sized cases by folding the top four flaps of RSC style cases and sealing them top and bottom. These machines are required when consistent production flow rates exceed manual processing ability or when automatic case packing is utilized.

Interpack™ offers a UA Series automatic machine for every application and budget. Interpack can customize each machine to specific requirements such as line voltage, operating range, no tape detection or 4-flap pick up assemblies.

#### Features:

- Interlocking safety gates
- Simple case size set up:
  - Self-centering side drives speed case width adjustment
  - Slide & lock upper head for rapid case height set up
  - Automatic electronic kicker timing
- Offset tape heads to process cases as low as 3½" tall
- 1/3 HP gearmotors
- Next Generation HSD® 2000-ET II Tape Head



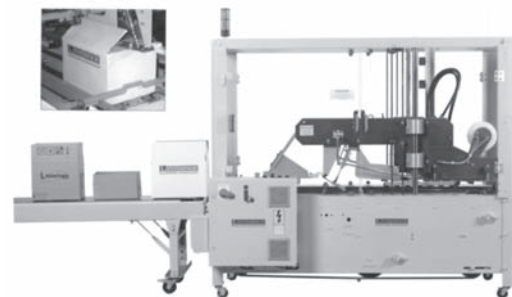
## RA Series

### Random Automatic\*

Interpack's™ RA Series Case Sealers are fully automatic machines engineered to process random sized cases. The RA Series case sealers will index the flow of cases into the machine, automatically sense the size, fold the top four flaps and seal the case top and bottom. Choose from two different processing methods to suit your budget. If your production requirements include combining multiple production lines and processing cases of varying sizes, then Interpack™ has a RA Series Random Automatic Case Sealer for you.

#### Features:

- RA 1200-FB Flight Bar Drive
- Premium Flight Bar Drive
- Up to 12 cases per minute
- AC drives control flight bar and upper head assembly motion
- Integrated case size set up station for case width, height and length
- Random top squeezers standard
- HSD® 2000-XS High Speed Tape Head



Ask us about our  
**"No-charge tape head program"** and our **"Tape incentive machine discount"**