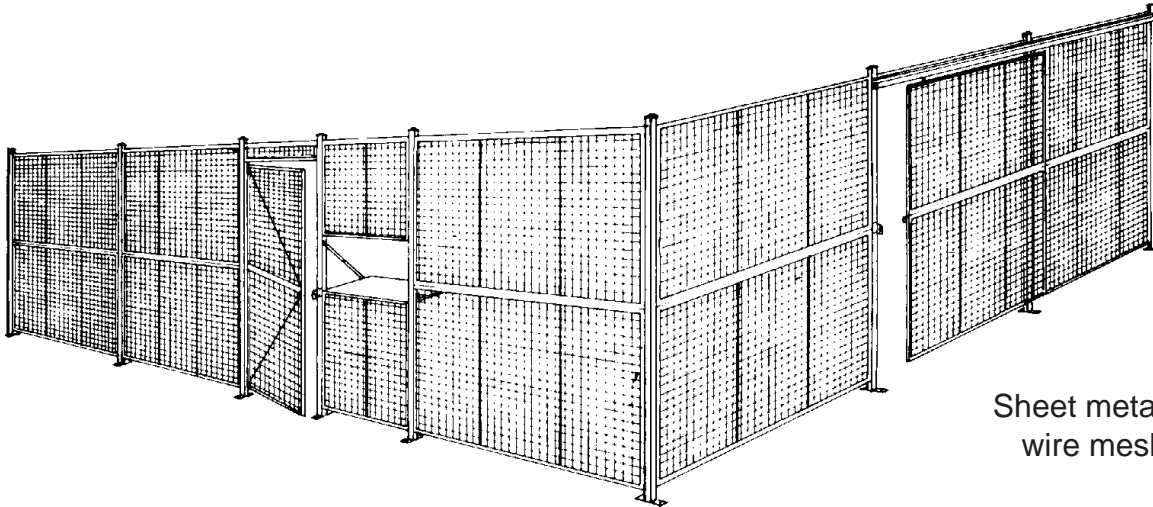


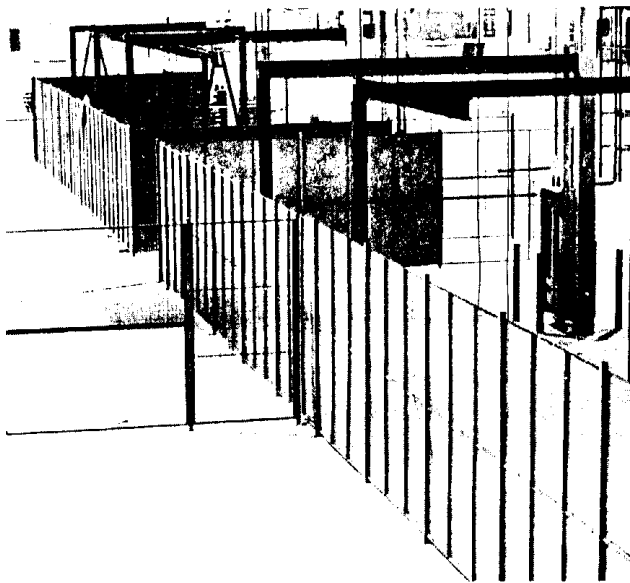
# MODULAR WIRE SECURITY PARTITIONS



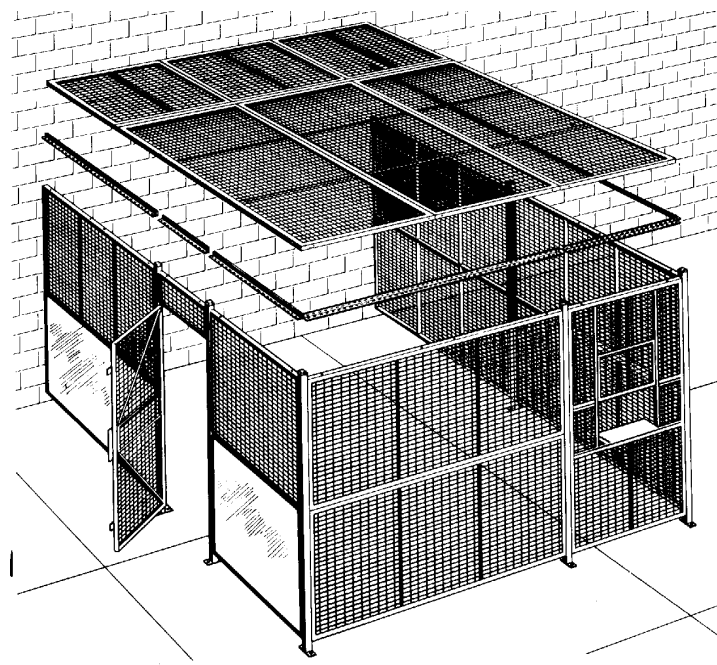
Sheet metal and welded wire mesh partitions

**Protection against theft and vandalism - for tools, machinery & property.  
 Protects your inventory, cuts losses, while providing ventilation, visibility and around-the-clock protection.**

- ✓ Transformer stations
- ✓ Shipping/receiving areas
- ✓ Bonded areas
- ✓ Tool cribs
- ✓ Stock rooms
- ✓ Protection screens
- ✓ Elevator enclosures
- ✓ Apartment lockers



Sheet metal partitions  
(Area isolation)



## Standard Specifications - For Welded Wire Mesh Partitions

### Panel Frames

1 1/4" x 1 1/4" x 14 ga. angle metal.

### Panel Wire Weld

No. 10 gauge, 2" x 2", or 18 ga. sheet steel.

### Gate

Slide or swing type to suit specified opening.

### Posts

2" square steel posts with floor plate and top cap.

### Wickets

Sheet metal drop shelf type.

### Finish

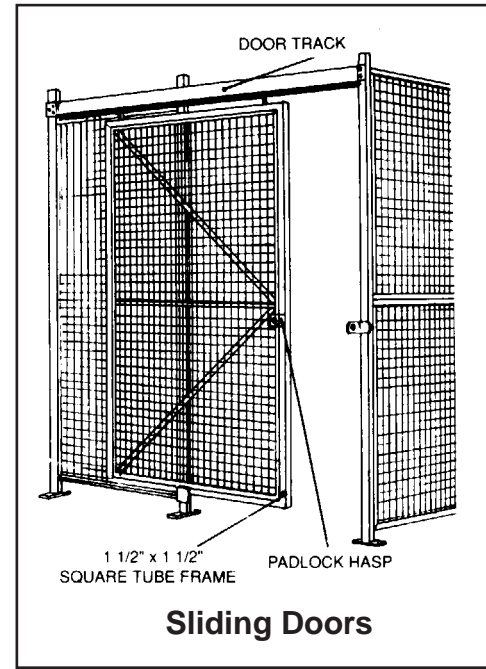
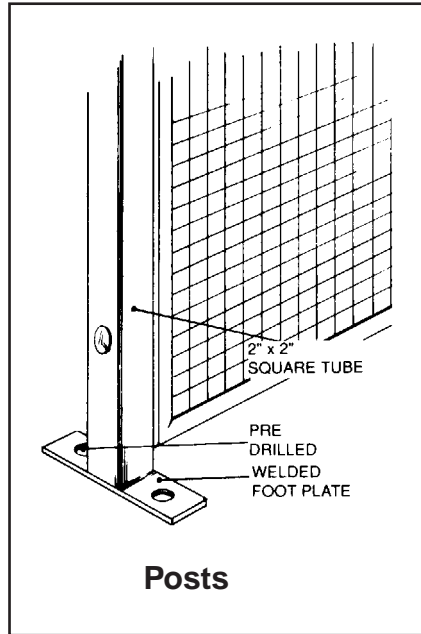
Blue or Grey. Other colours available.

### Floor Clearance

3" for sweeping.

# MODULAR WIRE SECURITY PARTITIONS

Custom designed Metric wire mesh security enclosures and partitions can be designed to meet your specific needs, from a small enclosure protecting workers from dangerous equipment or materials, to a warehouse partition that will securely divide your plant or warehouse into two separate areas. Welded wire mesh panels permit full visibility, and enable unrestricted circulation of air, heat and light, providing an ideal storage facility for hazardous materials. The simplified design of all Metric wire mesh partition pre-drilled modular components makes it extremely easy to install, expand, rearrange or relocate a partition as required with only a minimal investment of man hours required. Only a drill and wrenches are necessary for proper installation. Sheet metal panels are also available.



## Custom Partitions

- Designed to suit every need
- Unlimited possibilities

