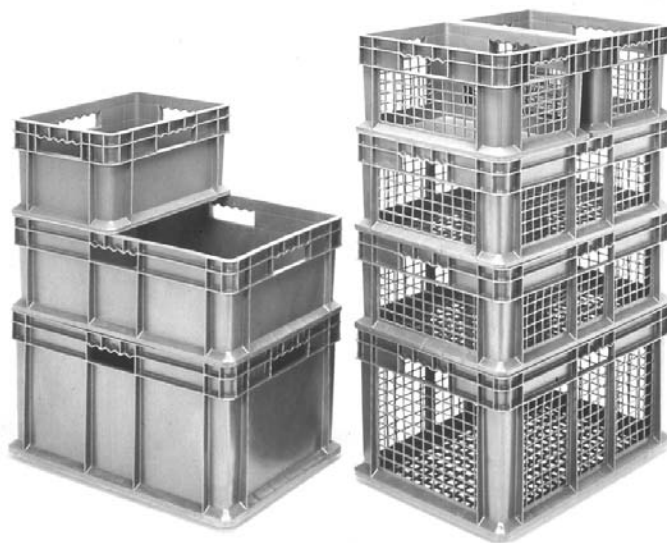


AKRO-MILS CANADA STRAIGHT WALL CONTAINERS



Model No.	Description	Outside Dim."	Inside Dim."
37-208	Mesh Side/Base	15 ³ / ₄ x 11 ³ / ₄ x 8 ¹ / ₄	14 ¹ / ₄ x 10 ¹ / ₄ x 8
37-278	Mesh Side/Solid Base	15 ³ / ₄ x 11 ³ / ₄ x 8 ¹ / ₄	14 ¹ / ₄ x 10 ¹ / ₄ x 8
37-288	Solid Side/Base	15 ³ / ₄ x 11 ³ / ₄ x 8 ¹ / ₄	14 ¹ / ₄ x 10 ¹ / ₄ x 8
37-608	Mesh Side/Base	23 ³ / ₄ x 15 ³ / ₄ x 8 ¹ / ₄	22 ¹ / ₄ x 14 ¹ / ₄ x 8
37-678	Mesh Side/Solid Base	23 ³ / ₄ x 15 ³ / ₄ x 8 ¹ / ₄	22 ¹ / ₄ x 14 ¹ / ₄ x 8
37-688	Solid Side/Base	23 ³ / ₄ x 15 ³ / ₄ x 8 ¹ / ₄	22 ¹ / ₄ x 14 ¹ / ₄ x 8
37-612	Mesh Side/Base	23 ³ / ₄ x 15 ³ / ₄ x 12 ¹ / ₄	22 ¹ / ₄ x 14 ¹ / ₄ x 12
37-672	Mesh Side/Solid Base	23 ³ / ₄ x 15 ³ / ₄ x 12 ¹ / ₄	22 ¹ / ₄ x 14 ¹ / ₄ x 12
37-682	Solid Side/Base	23 ³ / ₄ x 15 ³ / ₄ x 12 ¹ / ₄	22 ¹ / ₄ x 14 ¹ / ₄ x 12
37-616	Mesh Side/Base	23 ³ / ₄ x 15 ³ / ₄ x 16 ¹ / ₈	22 ¹ / ₄ x 14 ¹ / ₄ x 16
37-676	Mesh Side/Solid Base	23 ³ / ₄ x 15 ³ / ₄ x 16 ¹ / ₈	22 ¹ / ₄ x 14 ¹ / ₄ x 16
37-686	Solid Side/Base	23 ³ / ₄ x 15 ³ / ₄ x 16 ¹ / ₈	22 ¹ / ₄ x 14 ¹ / ₄ x 16

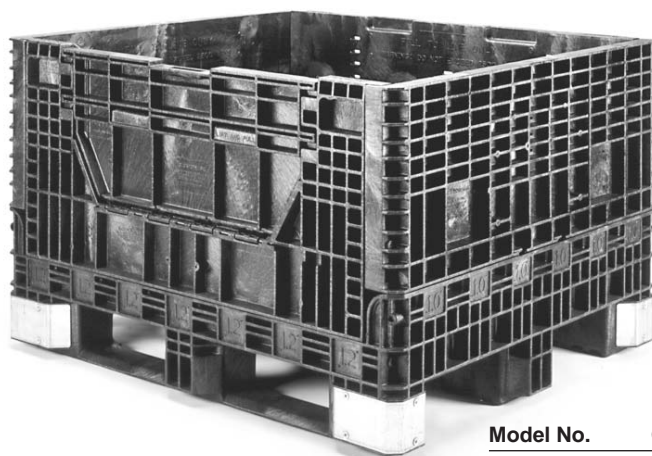
Colour: Grey



Model No.	Description	Outside Top Dim. L" x W" x H"	Inside Bottom Dim. L" x W" x H"
SW15120602	Solid Bottom/Sides	15 12 5 ¹ / ₂	13 9 ³ / ₈ 4 ⁷ / ₈
SW151208A2	Solid Bottom/Sides	15 12 7 ¹ / ₂	13 9 ³ / ₈ 6 ⁷ / ₈
SW15121002	Solid Bottom/Sides	15 12 9 ¹ / ₂	13 9 ³ / ₈ 8 ⁷ / ₈
SW24150602	Solid Bottom/Sides	24 15 5 ¹ / ₂	21 ³ / ₈ 13 4 ⁷ / ₈
SW241508A2	Solid Bottom/Sides	24 15 7 ¹ / ₂	21 ³ / ₈ 13 6 ⁷ / ₈
SW24151002	Solid Bottom/Sides	24 15 9 ¹ / ₂	21 ³ / ₈ 13 8 ⁷ / ₈
SW24151502	Solid Bottom/Sides	24 15 14 ¹ / ₂	21 ³ / ₈ 13 13 ⁷ / ₈

Colour: Grey

Modular Bulk Containers



The practical approach to large part/large volume material handling

Collapsible polyethylene containers with a unique latchless, safe, fast assembly system. Latchless moulded interlocking side panels and gates form continuous reinforcing ribs which add strength to high stress areas in the hinges and corners. These containers will perfectly cube a high cube trailer, stacked 3 high. Colour: Black or Blue
Capacity: 1,800 lbs. or 2,500 lbs.

Model No.	Gates	Outside Dim." (L x W x H)	Colour	Lid No.	Capacity
BS32303420	2	32 x 30x 34	Black	TS32300200	1,800 lbs
BH48403420	2	48 x 40 x 34	Black	TH484002001	2,500 lbs
BX48453420	2	48 x 45 x 34	Blue	TS48450300	1,800 lbs
BH48453420	2	48 x 45 x 34	Black	TH484502001	2,500 lbs

BULK STACKING CONTAINERS

Open Mesh Stacking Containers

This industry "standard" meets the challenge of your bulk material handling problems. The rugged construction ensures long lasting and trouble-free service. Four-way entry for forklift handling facilitates moving and stacking. Expanded mesh panels permit full visibility for inventory checks, and excellent ventilation. Stackable up to 5 units high. The standard unit is available with mesh or sheet metal decks.

Two half drop gates.

Capacities: of all units are 3,000 lbs and 15 cubic feet.

Dimensions: are 34 $\frac{1}{2}$ "W x 40 $\frac{1}{2}$ "L x 32 $\frac{1}{4}$ "D.

Standard finish: blue enamel.

Choice of mesh or sheet metal decks.

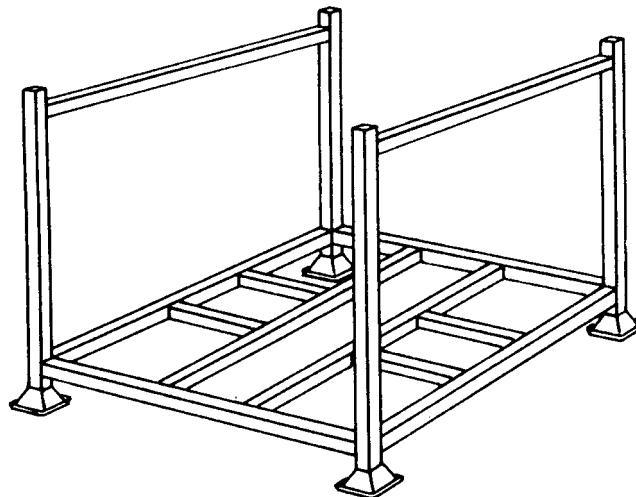
Other sizes available.

Model No	Container Type	Wt/Lbs.
SCE-3000E	Mesh Deck	105
SCE-3000S	Sheet Deck	114



Stacking Storage Racks

- Stack 5 high
- Feet - standard cup
- Portable stacking storage racks provide a mobile bulk handling system for inter-department or inter-plant movement of goods.
- Sizes and capacities to your requirements
- Available with wood or steel decks
- All welded tubular construction
- Finish: Blue, orange or grey
- Post can be removable



Wire Mesh Containers

- Collapsible for storage and return shipment
- Up to 5,000 lbs capacity
- Many sizes and types to choose from

