

BULK STACKING CONTAINERS

Open Mesh Stacking Containers

This industry "standard" meets the challenge of your bulk material handling problems. The rugged construction ensures long lasting and trouble-free service. Four-way entry for forklift handling facilitates moving and stacking. Expanded mesh panels permit full visibility for inventory checks, and excellent ventilation. Stackable up to 5 units high. The standard unit is available with mesh or sheet metal decks.

Two half drop gates.

Capacities: of all units are 3,000 lbs and 15 cubic feet.

Dimensions: are 34 $\frac{1}{2}$ "W x 40 $\frac{1}{2}$ "L x 32 $\frac{1}{4}$ "D.

Standard finish: blue enamel.

Choice of mesh or sheet metal decks.

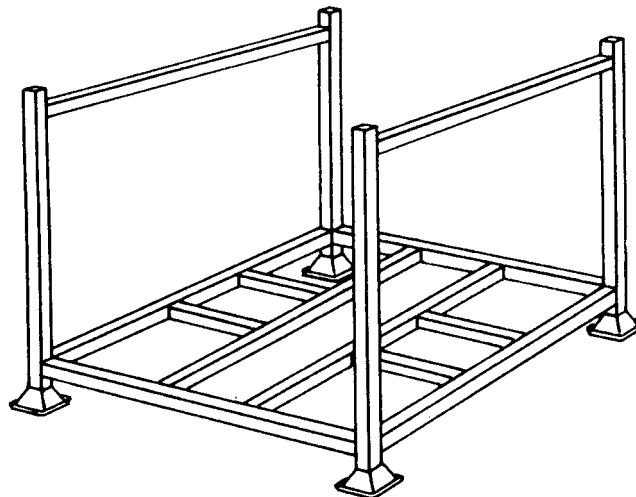
Other sizes available.

Model No	Container Type	Wt/Lbs.
SCE-3000E	Mesh Deck	105
SCE-3000S	Sheet Deck	114



Stacking Storage Racks

- Stack 5 high
- Feet - standard cup
- Portable stacking storage racks provide a mobile bulk handling system for inter-department or inter-plant movement of goods.
- Sizes and capacities to your requirements
- Available with wood or steel decks
- All welded tubular construction
- Finish: Blue, orange or grey
- Post can be removable



Wire Mesh Containers

- Collapsible for storage and return shipment
- Up to 5,000 lbs capacity
- Many sizes and types to choose from

