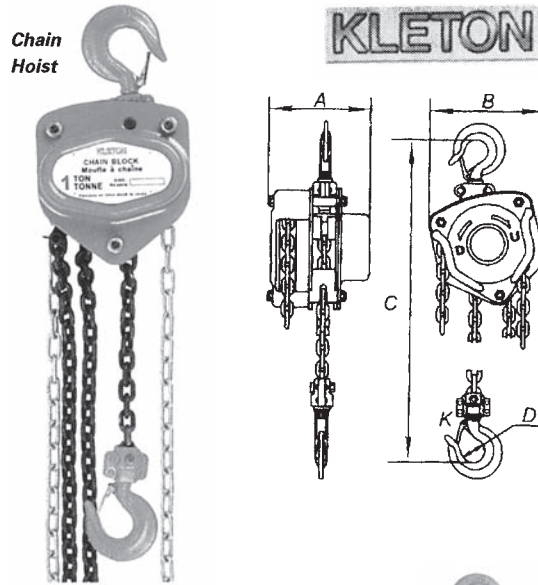


CHAIN HOISTS

CHAIN HOISTS

- Lightweight steel construction
- Triple spur geared for easy lifting
- Load brake assures safety and load control
- High tensile alloy steel load chain for increased strength and durability
- Latched swivel hooks for added security
- Enclosed chain guide ensures dirt and dust do not affect operation



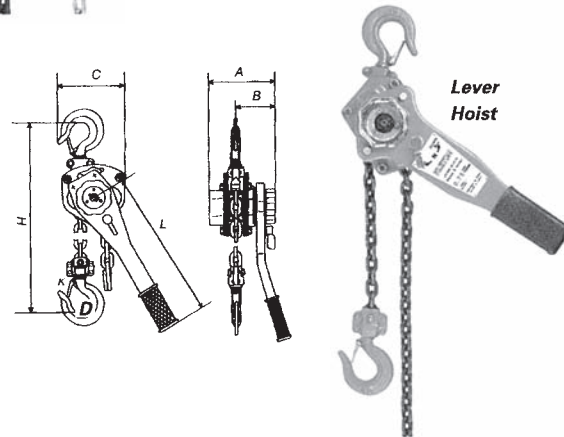
Model No.	Model No.	Capacity		Net Weight		No. of Chain Falls	Load Chain Dia.		Headroom		
10' Lift	20' Lift	tons	lbs.	kg	lbs.	kg	in.	mm	in.	mm	
LS534	LS540	1/2	1100	500	22	10	1	1/4	6	10.5	270
LS535	LS541	1	2200	1000	26.4	12	1	1/4	6	12.5	317
LS536	LS542	1 1/2	3300	1500	40.7	18.5	1	5/16	8	15.75	399
LS537	LS543	2	4400	2000	44	20	1	5/16	8	16.25	414
LS538	LS544	3	6600	3000	63.8	29	2	5/16	8	18.25	465
LS539	LS545	5	11000	5000	100	45.5	2	7/16	10	25	636

Model No.	Model No.	A	A	B	B	C	C	D	D	K	K
10' Lift	20' Lift	in.	mm	in.	mm	in.	mm	in.	mm	in.	mm
LS534	LS540	5 1/4	131	5	127	10 1/2	270	1 3/8	36	1 3/16	30
LS535	LS541	5 1/2	140	6 1/4	158	12 1/2	317	1 5/8	40	1 1/4	34
LS536	LS542	6 1/4	161	7 1/4	187	15 3/4	399	1 3/4	45	1 1/2	38
LS537	LS543	6 1/4	161	7 1/4	187	16 1/4	414	2	50	1 5/8	41
LS538	LS544	6 1/4	161	8 1/4	210	18 1/4	465	2 1/4	58	1 7/8	48
LS539	LS545	7 1/4	186	10	253	25	636	2 1/2	64	2	52

* Dimensions are approximate and should be confirmed if important to your application

LEVER HOISTS

- Lightweight steel construction
- Short steel handle rotates 360° to allow operation in any position
- Load brake assures safety and load control
- High tensile alloy steel load chain for increased strength and durability
- Latched swivel hooks for added security
- Enclosed chain guide ensures dirt and dust do not affect operation



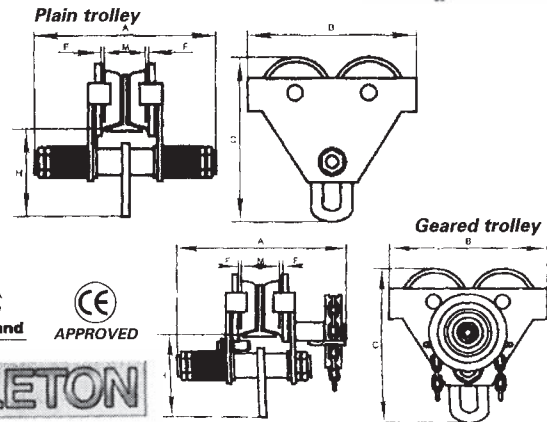
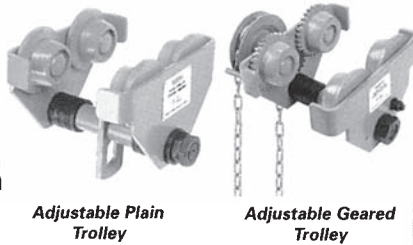
Model No.	Capacity		Net Weight		No. of Chain Falls	Load Chain Dia.		
5' Lift	tons	lbs.	kg	lbs.	kg	in.	mm	
LS546	3/4	1650	750	15.5	7	1	1/4	6
LS548	1 1/2	3300	1500	24	11	1	5/16	8
LS549	3	6600	3000	46	21	1	7/16	10
LS550	6	13200	6000	68	31	2	7/16	10

Model No.	A	A	B	B	C	C	D	D	H	H	L	L	K	K
5' Lift	in.	mm	in.	mm	in.	mm	in.	mm	in.	mm	in.	mm	in.	mm
LS546	5.75	148	3.5	90	5.25	136	1.5	40	12.75	325	11	280	1 5/16	34
LS548	6.75	172	3.75	98	6.25	160	1.75	45	15	380	16	410	1 7/16	38
LS549	7.75	200	4.5	115	7	180	2.25	58	18.75	480	16	410	1 7/8	48
LS550	7.75	200	4.5	115	9.25	235	2.5	64	24.5	620	16	410	2 1/16	52

* Dimensions are approximate and should be confirmed if important to your application

ADJUSTABLE TROLLEYS

- Easily adjusts to fit various flange and I-beams
- Use on straight or curved track
- Can be installed or removed at any position on the beam
- Heavy-duty cast iron wheels
- Deep width flange provides superior contact with the beam
- Geared trolleys include 2 geared wheels operated by hand chain



PLAIN TROLLEYS

Model No.	Capacity	I-Beam Flange Width	Min. Curve Radius	Net Weight
	tons lbs. kg	in. mm	in. mm	lbs. kg
LS551	1/2 1100 500	2.5 - 5.5 64 - 140	35 900	15.4 7
LS552	1 2200 1000	2.5 - 5.5 64 - 140	39 1000	26.4 12
LS553	2 4400 2000	3 - 6.5 76 - 165	47 1200	48.4 22
LS554	3 6600 3000	3 - 8 76 - 203	55 1400	66 30
LS555	5 11000 5000	3.5 - 8 88 - 203	78 2000	121 55

Model No.	A	A	B	B	C	C	H	H
	in.	mm	in.	mm	in.	mm	in.	mm
LS551	9	230	8 1/4	212	7 3/4	198.5	4 1/2	113
LS552	10	254	10	255	9 1/8	231.5	5	128
LS553	11 1/5	294	11 7/8	302	11	278	6	152
LS554	13 1/2	344	13 1/2	344	13 1/4	338	7 3/8	186
LS555	14 1/4	360	14 7/8	378	15 1/2	393	8 5/8	219

GEARED TROLLEYS

Model No.	Capacity	I-Beam Flange Width	Min. Curve Radius	Net Weight
	tons lbs. kg	in. mm	in. mm	lbs. kg
LS556	1/2 1100 500	2.5 - 5.5 64 - 140	35 900	30.8 14
LS557	1 2200 1000	2.5 - 5.5 64 - 140	39 1000	41.8 19
LS558	2 4400 2000	3 - 6.5 76 - 165	47 1200	63.8 29
LS559	3 6600 3000	3 - 8 76 - 203	55 1400	88 40
LS560	5 11000 5000	3.5 - 8 88 - 203	78 2000	143 65

Model No.	A	A	B	B	C	C	H	H
	in.	mm	in.	mm	in.	mm	in.	mm
LS556	12 1/8	308.5	8 1/4	212	7 3/4	198.5	4 1/2	113
LS557	13	328.5	10	255	9 1/8	231.5	5	128
LS558	14 1/4	361.5	11 7/8	302	11	278	6	152
LS559	16 7/8	428.5	13 1/2	344	13 1/4	338	7 3/8	186
LS560	17 1/8	434	14 7/8	378	15 1/2	393	8 5/8	219

* Dimensions are approximate and should be confirmed if important to your application