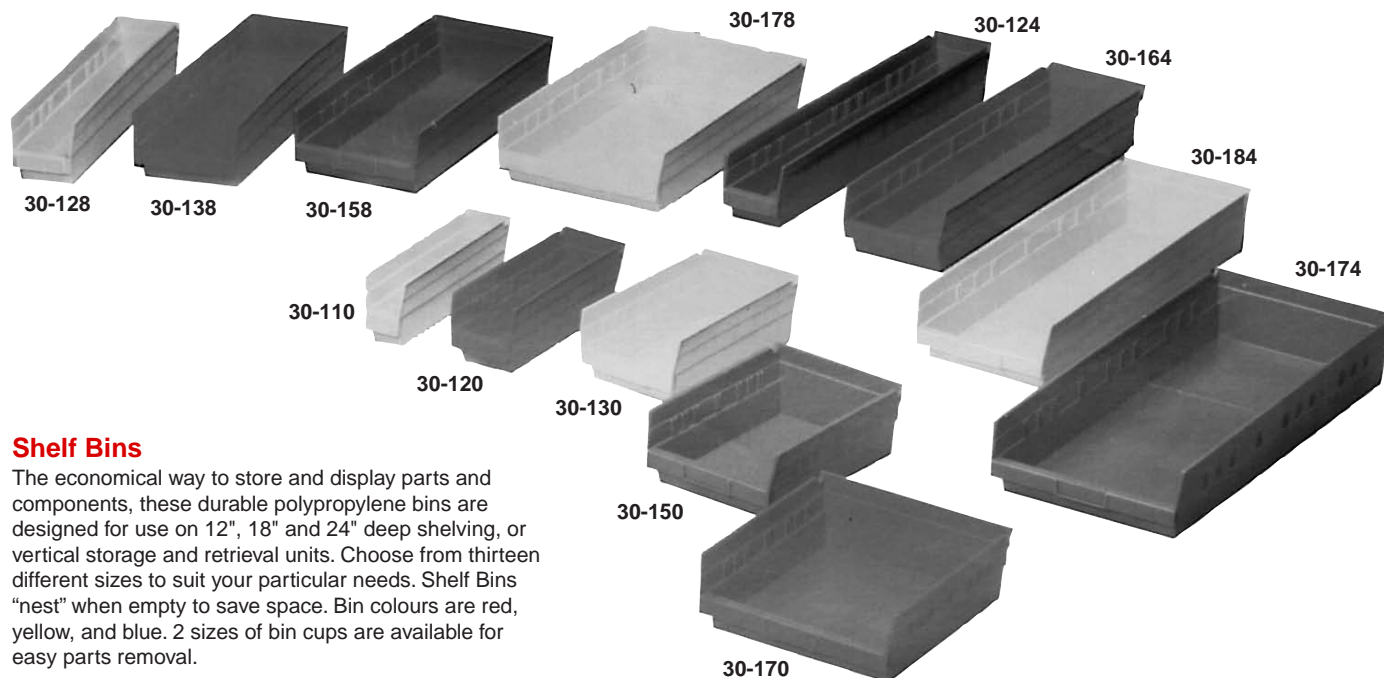
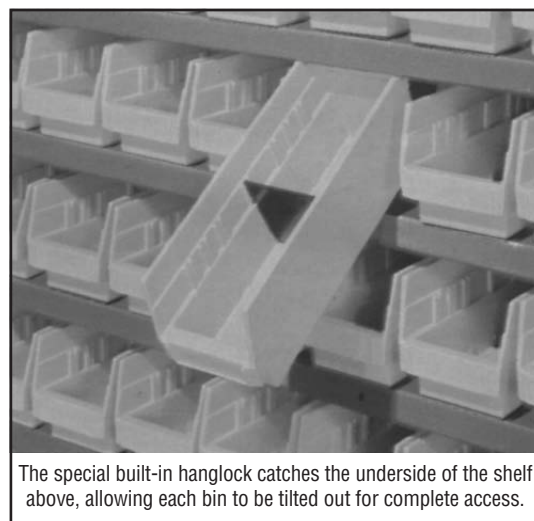
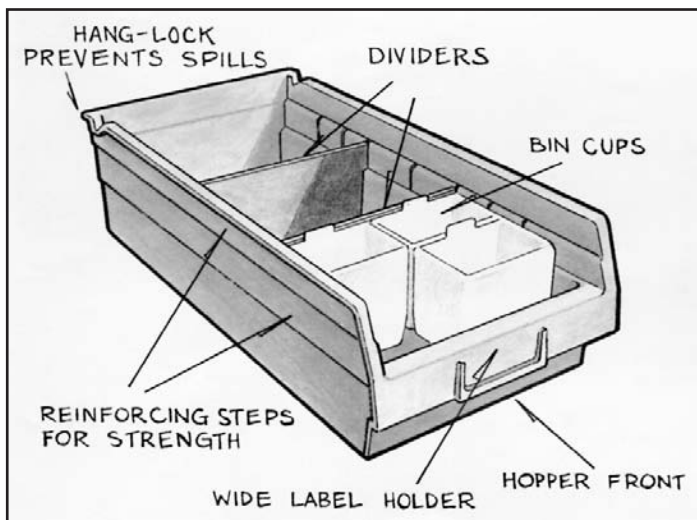


# AKRO-MILS CANADA SHELF BINS



## Shelf Bins

The economical way to store and display parts and components, these durable polypropylene bins are designed for use on 12", 18" and 24" deep shelving, or vertical storage and retrieval units. Choose from thirteen different sizes to suit your particular needs. Shelf Bins "nest" when empty to save space. Bin colours are red, yellow, and blue. 2 sizes of bin cups are available for easy parts removal.



The special built-in hanglock catches the underside of the shelf above, allowing each bin to be tilted out for complete access.

Bin Model No.*	Outside Dimension Inches			Inside Dimensions Inches			Wt. Lbs. (ea.)	Carton Quantities	Dividers (up to 7 per bin)	No. of bin cups per bin					
	W	x	H	W	x	H				30-101	30-102				
30-110	2 3/4"	x	4"	x	11 5/8"	1 5/8"	x	4"	x	10 1/4"	0.3	24	None	3	None
30-120	4 1/8"	x	4"	x	11 5/8"	3"	x	4"	x	10 1/4"	0.5	24	40-120	5	2
30-124	4 1/8"	x	4"	x	23 5/8"	3"	x	4"	x	22 1/8"	0.8	12	40-120	11	4
30-128	4 1/8"	x	4"	x	17 7/8"	3"	x	4"	x	16 1/2"	0.7	12	40-120	8	3
30-130	6 5/8"	x	4"	x	11 5/8"	5 1/2"	x	4"	x	10 1/4"	0.7	12	40-130	9	4
30-138	6 5/8"	x	4"	x	17 7/8"	5 1/2"	x	4"	x	16 1/2"	1.0	12	40-130	15	6
30-150	8 3/8"	x	4"	x	11 5/8"	7 1/8"	x	4"	x	10 1/4"	0.7	12	40-150	11	4
30-158	8 3/8"	x	4"	x	17 7/8"	7 1/8"	x	4"	x	16 1/2"	0.9	12	40-150	18	6
30-164	6 5/8"	x	4"	x	23 5/8"	5 1/2"	x	4"	x	22 1/8"	1.3	6	40-130	21	8
30-170	11 1/8"	x	4"	x	11 5/8"	10"	x	4"	x	10 1/4"	0.9	12	40-170	15	6
30-174	11 1/8"	x	4"	x	23 5/8"	10"	x	4"	x	22 1/8"	1.5	6	40-170	35	16
30-178	11 1/8"	x	4"	x	17 7/8"	10"	x	4"	x	16 1/2"	1.3	12	40-170	25	12
30-184	8 3/8"	x	4"	x	23 5/8"	7 1/8"	x	4"	x	22 1/8"	1.7	6	40-150	25	8

\*Specify colour: red, yellow or blue.

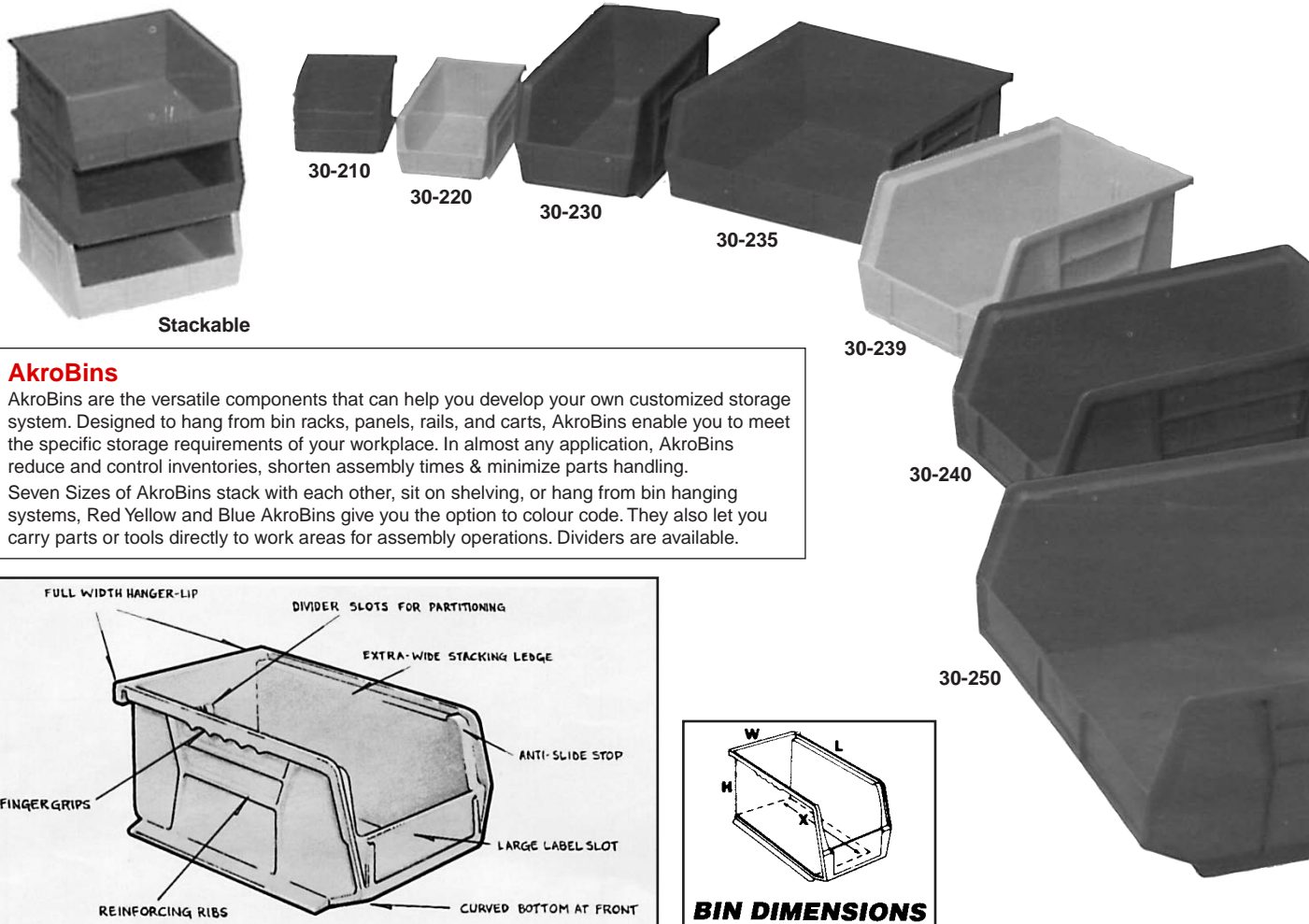
### BIN DIVIDERS

Model No.	Description	Wt. (Pkg./24)
40-120	Divider, 2 7/8" W	1.0
40-130	Divider, 5 1/2" W	2.0
40-150	Divider, 7 3/4" W	3.0
40-170	Divider, 10" W	4.0

### BIN CUPS

Model No.	Description	Pkg. Qty	Wt.Lbs. (Pkg.)
30-101	Bin Cup, 3 1/4" x 2"	48	2.5
30-102	Bin Cup, 5" x 2 3/4"	24	2.5

# AKRO-MILS CANADA PLASTIC BINS



**AkroBins**

AkroBins are the versatile components that can help you develop your own customized storage system. Designed to hang from bin racks, panels, rails, and carts, AkroBins enable you to meet the specific storage requirements of your workplace. In almost any application, AkroBins reduce and control inventories, shorten assembly times & minimize parts handling.

Seven Sizes of AkroBins stack with each other, sit on shelving, or hang from bin hanging systems, Red Yellow and Blue AkroBins give you the option to colour code. They also let you carry parts or tools directly to work areas for assembly operations. Dividers are available.

**AKROBINS**

Model No.	Outside Dimensions Inches			Inside Dimensions Inches				AkroBins		AkroBin Dividers	
	L	x W	x H	L	x W	x H	x X	Wt. Lbs.	Qty/ Pkg	Model No.	Wt. Lbs. /pkg. of 6
30-210	5 <sup>3</sup> / <sub>8</sub> "	x 4 <sup>1</sup> / <sub>8</sub> "	x 3"	4 <sup>3</sup> / <sub>4</sub> "	x 3 <sup>7</sup> / <sub>16</sub> "	x 2 <sup>13</sup> / <sub>16</sub> "	x 4"	0.2	24	40-210	1.0
30-220	7 <sup>3</sup> / <sub>8</sub> "	x 4 <sup>1</sup> / <sub>8</sub> "	x 3"	6 <sup>3</sup> / <sub>4</sub> "	x 3 <sup>7</sup> / <sub>16</sub> "	x 2 <sup>13</sup> / <sub>16</sub> "	x 6"	0.3	24	40-220	1.0
30-224	10 <sup>7</sup> / <sub>8</sub> "	x 4 <sup>1</sup> / <sub>8</sub> "	x 4"	10 <sup>1</sup> / <sub>4</sub> "	x 3 <sup>3</sup> / <sub>16</sub> "	x 3 <sup>3</sup> / <sub>4</sub> "	x 9"	0.53	12	N/A	N/A
30-230	10 <sup>7</sup> / <sub>8</sub> "	x 5 <sup>1</sup> / <sub>2</sub> "	x 5"	10 <sup>1</sup> / <sub>4</sub> "	x 4 <sup>3</sup> / <sub>8</sub> "	x 4 <sup>3</sup> / <sub>4</sub> "	x 9"	0.8	12	40-230	2.0
30-234	14 <sup>3</sup> / <sub>4</sub> "	x 5 <sup>1</sup> / <sub>2</sub> "	x 5"	14 <sup>1</sup> / <sub>16</sub> "	x 4 <sup>3</sup> / <sub>8</sub> "	x 4 <sup>3</sup> / <sub>4</sub> "	x 12 <sup>13</sup> / <sub>16</sub> "	1.06	12	N/A	N/A
30-235	10 <sup>7</sup> / <sub>8</sub> "	x 11"	x 5"	10 <sup>1</sup> / <sub>4</sub> "	x 10"	x 4 <sup>3</sup> / <sub>4</sub> "	x 9"	1.5	6	40-230	2.0
30-239	10 <sup>3</sup> / <sub>4</sub> "	x 8 <sup>1</sup> / <sub>4</sub> "	x 7"	10"	x 6 <sup>9</sup> / <sub>16</sub> "	x 6 <sup>3</sup> / <sub>4</sub> "	x 8"	1.5	6	40-239	3.0
30-240	14 <sup>3</sup> / <sub>4</sub> "	x 8 <sup>1</sup> / <sub>4</sub> "	x 7"	14"	x 6 <sup>9</sup> / <sub>16</sub> "	x 6 <sup>3</sup> / <sub>4</sub> "	x 12"	2.0	12	40-245A	3.0
30-250	14 <sup>3</sup> / <sub>4</sub> "	x 16 <sup>1</sup> / <sub>2</sub> "	x 7"	14"	x 14 <sup>3</sup> / <sub>4</sub> "	x 6 <sup>3</sup> / <sub>4</sub> "	x 12"	3.5	6	40-245B	3.0
30-255	10 <sup>7</sup> / <sub>8</sub> "	x 16 <sup>1</sup> / <sub>2</sub> "	x 5"	9 <sup>3</sup> / <sub>4</sub> "	x 15"	x 4 <sup>3</sup> / <sub>4</sub> "	x 8 <sup>1</sup> / <sub>2</sub> "	1.93	6	N/A	N/A
30-265	18"	x 8 <sup>1</sup> / <sub>4</sub> "	x 9"	17 <sup>1</sup> / <sub>8</sub> "	x 6 <sup>1</sup> / <sub>2</sub> "	x 8 <sup>1</sup> / <sub>4</sub> "	x 14 <sup>1</sup> / <sub>2</sub> "	3.5	6	40-265	3.5
30-270	18"	x 16 <sup>1</sup> / <sub>2</sub> "	x 11"	17 <sup>1</sup> / <sub>8</sub> "	x 14 <sup>7</sup> / <sub>8</sub> "	x 10 <sup>1</sup> / <sub>2</sub> "	x 13 <sup>3</sup> / <sub>4</sub> "	4.3	3	40-270	3.5

**SUPER-SIZED AKROBINS**

30-280	20"	x 12 <sup>3</sup> / <sub>8</sub> "	x 6"	16 <sup>7</sup> / <sub>8</sub> "	x 10 <sup>11</sup> / <sub>16</sub> "	x 5 <sup>3</sup> / <sub>8</sub> "	x 15 <sup>1</sup> / <sub>2</sub> "	2.17	4	-	-
30-281	20"	x 12 <sup>3</sup> / <sub>8</sub> "	x 8"	16 <sup>7</sup> / <sub>8</sub> "	x 10 <sup>11</sup> / <sub>16</sub> "	x 7 <sup>3</sup> / <sub>8</sub> "	x 15 <sup>1</sup> / <sub>2</sub> "	2.57	3	-	-
30-282	20"	x 12 <sup>3</sup> / <sub>8</sub> "	x 12"	16 <sup>7</sup> / <sub>8</sub> "	x 10 <sup>11</sup> / <sub>16</sub> "	x 11 <sup>3</sup> / <sub>8</sub> "	x 15 <sup>1</sup> / <sub>2</sub> "	3.38	2	-	-
30-283	20"	x 18 <sup>3</sup> / <sub>8</sub> "	x 12"	16 <sup>7</sup> / <sub>8</sub> "	x 16 <sup>9</sup> / <sub>16</sub> "	x 11 <sup>3</sup> / <sub>8</sub> "	x 15 <sup>1</sup> / <sub>2</sub> "	5.27	1	-	-
30-290	29 <sup>1</sup> / <sub>4</sub> "	x 18 <sup>3</sup> / <sub>8</sub> "	x 12"	26 <sup>1</sup> / <sub>8</sub> "	x 16 <sup>9</sup> / <sub>16</sub> "	x 11 <sup>3</sup> / <sub>8</sub> "	x 24 <sup>3</sup> / <sub>4</sub> "	6.86	1	-	-

Please specify bin colours when ordering (Red, Yellow or Blue)

Super-Sized Bins have large handle molded on back for easy carrying



# AKROBIN SUPPORT RACKS

Locate Louvered panels with AkroBins anywhere for easy access to small parts. Available in two sizes, louvered bin panels can be wall-mounted, attached to the back of shelving, mounted on benches, carts, inside cabinets, fastened to slotted angle components, or used for service truck interiors.

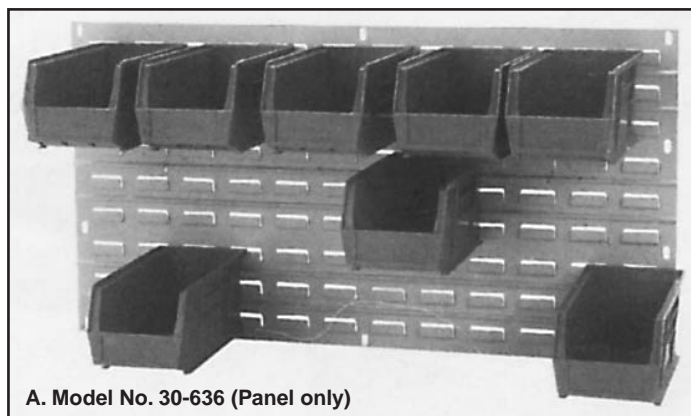
Bins are easily removed, refilled, and replaced. Each heavy-duty panel is 16-gauge cold-rolled steel. Slotted holes 3/4"L x 3/8"W at 6" centers simplify installation. Grey baked enamel. Installation Note: Panels must be securely fastened to materials of adequate load bearing strength. Each panel must be secured vertically at the center.

### BIN QUANTITY TABLE

(Quantity of Identical AkroBins that fit Model 30-636 Panel)

Combined Panel Height (35 3/4" Wide)	Akro Bin 30-210	Akro Bin 30-220	Akro Bin 30-230	Akro Bin 30-235	Akro Bin 30-239	Akro Bin 30-240	Akro Bin 30-250
1 Panel=19"H	32	32	18	9	8	8	4
2 Panels=37"H	72	72	36	18	18	16	8
3 Panels=55"H	104	104	54	27	28	28	14
4 Panels=73"H	144	144	72	36	36	36	18

For 30-618 Panel, use 1/2 of bin quantities shown above.

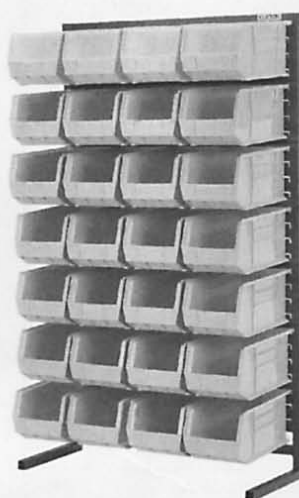


A. Model No. 30-636 (Panel only)

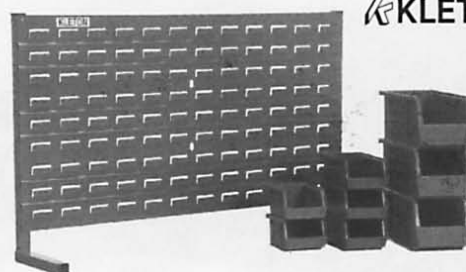
Model No.	Panel Size W" x H"	Wt. Lbs.
30-618	18 x 19	6
30-636	36 x 19	12



B. Model No. 1005-A



C. Model No. BR3661S-A



D. Model No. 98-700 (Rack only)



E. Model No. BC3824-A

## B. MOBILE BIN RACKS

Two mobile bin racks are available, a single sided unit (Model 1002, incorporating two 30-636 panels) and a double sided unit (Model 1005, incorporating six panels). These units are ideal for transportation of small parts and are shipped all-welded. Model 1005-A (shown) includes 100 AkroBins of various sizes.

Model No.	Rack Type	Dimensions W" x H" x D"	Wt. Lbs.
1002	Single Sided	36 x 52 x 16	60
1002-A*	Single, c/w bins	36 x 52 x 16	83
1005	Double sided	36 x 63 x 24	120
1005-A*	Double, c/w bins	36 x 63 x 24	187

\* Please specify AkroBin colour (Blue, Red, or Yellow).

## C. STATIONARY BIN RACKS

The Model BR3661S stationary single-sided bin rack (shown) is made of 1 1/4" square tube frame, and 16 gauge heavy duty steel panels. The unit incorporates three Model 30-636 panels (see chart above for bin unit capacities). The Model BR3661D double sided bin rack incorporates 6 panels. Both shipped all welded. Model No. BR3661S-A (shown) includes 28 Model 30-240 AkroBins.

Model No.	Rack Type	Dimensions W" x H" x D"	Wt. Lbs.
BR3661S	Single sided	36 x 61 x 12	60
BR3661S-A*	Single c/w bins	36 x 61 x 12	107
BR3661D	Double sided	36 x 61 x 24	100
BR3661D-A*	Double c/w bins	36 x 61 x 24	194

\* Please specify AkroBin colour (Blue, Red, or Yellow).

## D. BENCH RACK

The Model 98-700 (shown) all welded bench rack is a self-supporting work station organizer, which incorporates one Model 30-636 panel (see chart above for bin unit capacities.) This unit may be placed on any flat surface near a work area without any bolts or fasteners. The Model 98-800 all welded bench rack is a larger capacity unit incorporating four Model 30-636 panels, designed for permanent installation on a 72" workbench. Blue enamel finish.

Model No.	Rack Type	Dimensions W" x H"	Wt. Lbs.
98-700	Free standing	36 x 22	22
98-800	Bolt-on	72 x 40	95

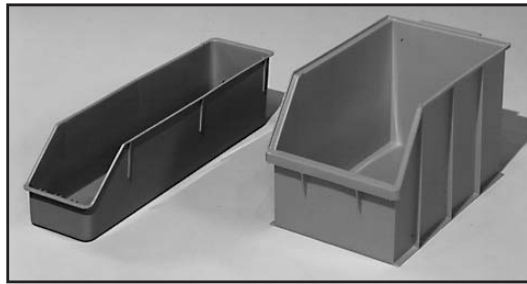
## E. BIN CARTS

The Model BC3824 mobile bin cart has a work surface of 14 gauge steel. Bin cart measures 38 1/2"L x 24"W x 37 1/2"H and features 5" rubber casters. Shipped all-welded. It incorporates two 30-636 panels (one each side) and will accommodate various AkroBin quantities (see chart above). Model BC3824-A (shown) includes 16 Model 30-240 and 4 Model 30-250 AkroBins.

Model No.	Rack Type	Dimensions W" x H" x D"	Wt. Lbs.
BC3824	Double sided	24 x 36 1/2 x 38 1/2	95
BC3824-A*	Double c/w bins	24 x 36 1/2 x 38 1/2	133

\* Please specify AkroBin colour (Blue, Red, or Yellow).

# AKRO-MILS CANADA BINS & STORAGE CASES



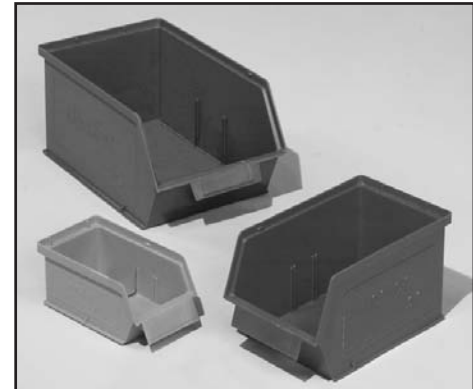
### Shelf Boxes Available in blue only

Model No.	Outside Dimensions"			Weight Lbs	Cu. Ft.	No. Per Carton
	L	W	H			
030-550P	24 <sup>1</sup> / <sub>4</sub>	6	5 <sup>3</sup> / <sub>4</sub>	1.31	0.39	8
030-600P	18	10 <sup>3</sup> / <sub>8</sub>	10	2.31	0.84	4
C30-605E	16	16	8 <sup>3</sup> / <sub>16</sub>	2.30	0.90	6

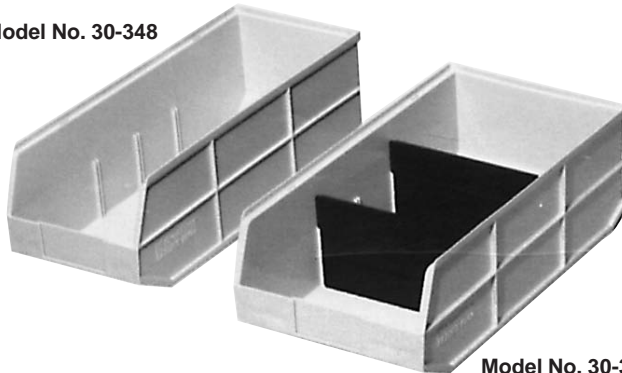
### Star Bins

- Choice of 3 colours - Blue, Red, Yellow
- 3 sizes

Model No.	Outside Dimensions"			Weight Lbs	Cu. Ft.	No. Per Carton
	L	W	H			
C30-602P	13 <sup>5</sup> / <sub>16</sub>	7 <sup>15</sup> / <sub>16</sub>	6	1.25	0.24	6
C30-603P	7 <sup>5</sup> / <sub>16</sub>	3 <sup>7</sup> / <sub>8</sub>	2 <sup>7</sup> / <sub>8</sub>	0.20	0.24	48
C30-604P	9 <sup>5</sup> / <sub>8</sub>	5 <sup>5</sup> / <sub>8</sub>	5	0.56	0.10	12



Model No. 30-348



Model No. 30-358

### 1800 SERIES AkroBins

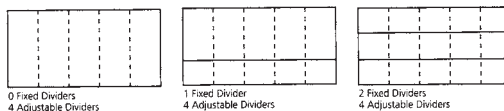
Extra large and extra strong for heavier, bulkier parts and components, 1800 Series AkroBins are designed to fit standard 18" deep shelving. They are stackable, with reinforcing ribs to prevent spreading under big loads. Front and back finger grips make handling easy. The color is light beige. One black cross-wise divider per bin is provided. Available in light beige only.

Model No.	Inside Dimensions	Outside Dimensions	Wt. Lbs. (ea.)	Qty/ Pkg.
	Inches L x W x H	Inches L x W x H		
30-348	20" x 7 <sup>3</sup> / <sub>8</sub> " x 6 <sup>1</sup> / <sub>2</sub> "	20 <sup>1</sup> / <sub>2</sub> " x 8 <sup>1</sup> / <sub>4</sub> " x 7"	3.5	6
30-358	20" x 10 <sup>1</sup> / <sub>8</sub> " x 6 <sup>1</sup> / <sub>2</sub> "	20 <sup>1</sup> / <sub>2</sub> " x 11" x 7"	4.0	6

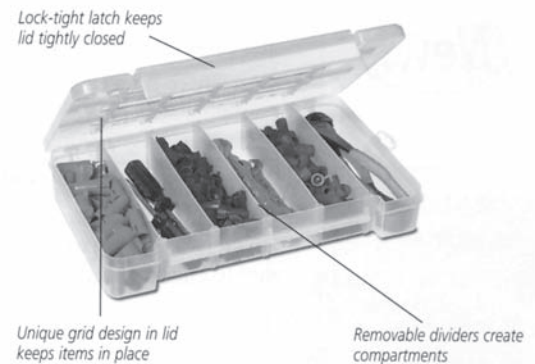
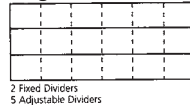
## STORAGE CASES

- The perfect case for storing and organizing supplies!
- Cases available in 3 sizes with different divider configurations.
- Grid design in lid keeps items from spilling into other compartments.
- Small and medium cases include 4 front-to-back adjustable dividers.
- Large cases include 5 front-to-back adjustable dividers.

#### Small & Medium Cases



#### Large Cases

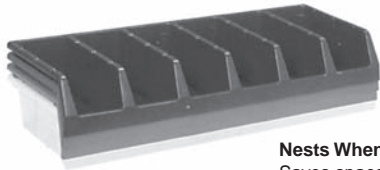


Model No.	Description	Inches	Maximum Compartments	Ctn. Qty.
		L x W x H		
05705	Small Case (2 Fixed Dividers)	8 <sup>5</sup> / <sub>8</sub> " x 5 <sup>1</sup> / <sub>8</sub> " x 1 <sup>5</sup> / <sub>8</sub> "	15	12
05805	Medium Case (2 Fixed Dividers)	11" x 7" x 2 <sup>3</sup> / <sub>8</sub> "	15	6
05807	Medium Case (1 Fixed Divider)	11" x 7" x 2 <sup>3</sup> / <sub>8</sub> "	10	6
05905	Large Case (2 Fixed Dividers)	14 <sup>3</sup> / <sub>8</sub> " x 9 <sup>1</sup> / <sub>2</sub> " x 2 <sup>1</sup> / <sub>2</sub> "	18	6

# AKRO-MILS CANADA BINS & SHIPPING CONTAINERS



**Stackable to Create a Custom System**  
Bins stack with a dowel rod (not included) for vertical space utilization on work tables or benches



**Nests When Empty**  
Saves space in storage areas

## SystemBins™

By Akro-Mils

System Bins are configured six across in a single unit, 33" wide x 5" high, and are available in 12" or 18" depths to fit standard shelving.

### System Bins

Model No.	Description	Dimensions Inches			Carton Qty.
		W	D	H	
30312	12" System Bin	33	12	5	5
30318	18" System Bin	33	18	5	5
40312	System Bin Divider	4 <sup>5</sup> / <sub>8</sub>	—	4 <sup>7</sup> / <sub>8</sub>	6 pk.

Available colors: Blue, Yellow, Red and Green

## Stak-N-Store Bin

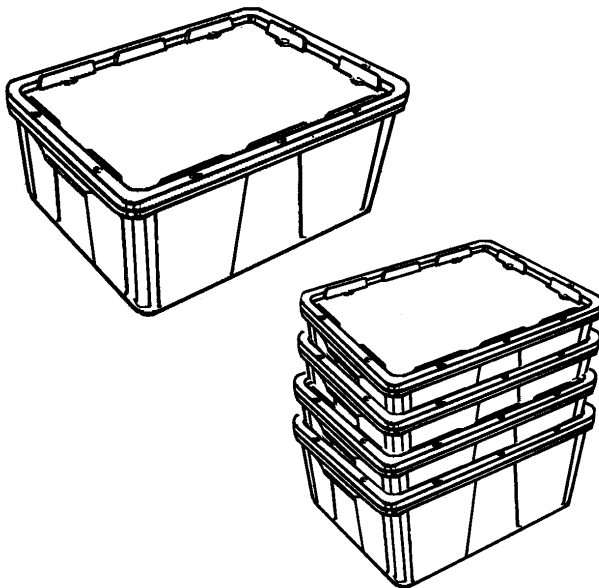


### General purpose storage container

Features:

- Special comfort grip handles.
- Wide open front allows easy access to contents.
- Tough polyethylene is virtually unbreakable.
- Fits on standard industrial shelving.
- Extra thick side walls.
- Large radius corners and a curved upper lip add strength.
- Side ribs ensure stability when stacked.
- Stack to form tall, stable displays or storage arrangements.
- Multiple uses allow a variety of sales opportunities.
- Store parts, tools or any other warehouse items.
- Colours: Red, Blue and Grey.

Model No.	Outside Dimensions"			Capacity Cu. Ft.	Ctn Qty.
	L x	W x	H		
13-014	17 <sup>1</sup> / <sub>2</sub>	10 <sup>7</sup> / <sub>8</sub>	12 <sup>1</sup> / <sub>2</sub>	.98	4
13-017	15 <sup>1</sup> / <sub>4</sub>	19 <sup>7</sup> / <sub>8</sub>	12 <sup>7</sup> / <sub>16</sub>	1.7	3
13-018	17 <sup>1</sup> / <sub>2</sub>	16 <sup>1</sup> / <sub>2</sub>	12 <sup>1</sup> / <sub>2</sub>	1.6	2



## Shipping Containers

**Metric's Shipping Container** is the safest, most versatile heavy-wall container there is for shipping, storage, moving, shelving and other general requirements.

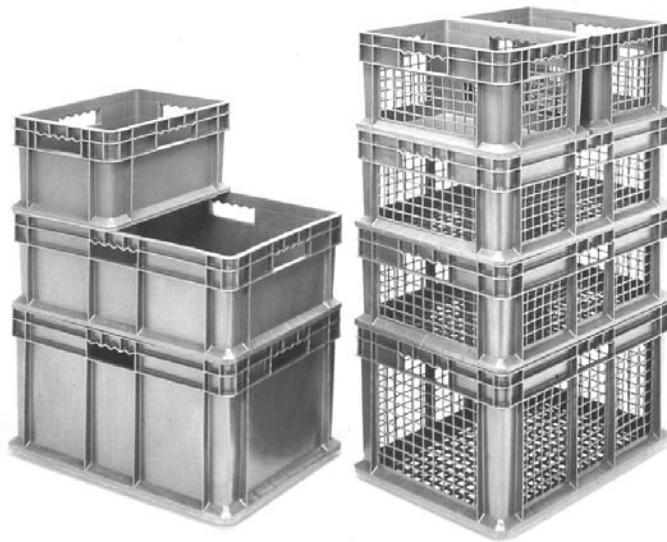
They stack when in use, nest for storing, and the solid smooth-wall construction provides for easy cleaning and dry storage.

The container is made of tough, food-grade lightweight polyethylene.

Model No.	Length"	Width"	Height"	Colour	Lid No.
808	24	20	12	Red	808L
808R	24	20	12	Black	808RL

Model 808R is made from recycled plastic

# AKRO-MILS CANADA STRAIGHT WALL CONTAINERS



Model No.	Description	Outside Dim."	Inside Dim."
37-208	Mesh Side/Base	15 <sup>3</sup> / <sub>4</sub> x 11 <sup>3</sup> / <sub>4</sub> x 8 <sup>1</sup> / <sub>4</sub>	14 <sup>1</sup> / <sub>4</sub> x 10 <sup>1</sup> / <sub>4</sub> x 8
37-278	Mesh Side/Solid Base	15 <sup>3</sup> / <sub>4</sub> x 11 <sup>3</sup> / <sub>4</sub> x 8 <sup>1</sup> / <sub>4</sub>	14 <sup>1</sup> / <sub>4</sub> x 10 <sup>1</sup> / <sub>4</sub> x 8
37-288	Solid Side/Base	15 <sup>3</sup> / <sub>4</sub> x 11 <sup>3</sup> / <sub>4</sub> x 8 <sup>1</sup> / <sub>4</sub>	14 <sup>1</sup> / <sub>4</sub> x 10 <sup>1</sup> / <sub>4</sub> x 8
37-608	Mesh Side/Base	23 <sup>3</sup> / <sub>4</sub> x 15 <sup>3</sup> / <sub>4</sub> x 8 <sup>1</sup> / <sub>4</sub>	22 <sup>1</sup> / <sub>4</sub> x 14 <sup>1</sup> / <sub>4</sub> x 8
37-678	Mesh Side/Solid Base	23 <sup>3</sup> / <sub>4</sub> x 15 <sup>3</sup> / <sub>4</sub> x 8 <sup>1</sup> / <sub>4</sub>	22 <sup>1</sup> / <sub>4</sub> x 14 <sup>1</sup> / <sub>4</sub> x 8
37-688	Solid Side/Base	23 <sup>3</sup> / <sub>4</sub> x 15 <sup>3</sup> / <sub>4</sub> x 8 <sup>1</sup> / <sub>4</sub>	22 <sup>1</sup> / <sub>4</sub> x 14 <sup>1</sup> / <sub>4</sub> x 8
37-612	Mesh Side/Base	23 <sup>3</sup> / <sub>4</sub> x 15 <sup>3</sup> / <sub>4</sub> x 12 <sup>1</sup> / <sub>4</sub>	22 <sup>1</sup> / <sub>4</sub> x 14 <sup>1</sup> / <sub>4</sub> x 12
37-672	Mesh Side/Solid Base	23 <sup>3</sup> / <sub>4</sub> x 15 <sup>3</sup> / <sub>4</sub> x 12 <sup>1</sup> / <sub>4</sub>	22 <sup>1</sup> / <sub>4</sub> x 14 <sup>1</sup> / <sub>4</sub> x 12
37-682	Solid Side/Base	23 <sup>3</sup> / <sub>4</sub> x 15 <sup>3</sup> / <sub>4</sub> x 12 <sup>1</sup> / <sub>4</sub>	22 <sup>1</sup> / <sub>4</sub> x 14 <sup>1</sup> / <sub>4</sub> x 12
37-616	Mesh Side/Base	23 <sup>3</sup> / <sub>4</sub> x 15 <sup>3</sup> / <sub>4</sub> x 16 <sup>1</sup> / <sub>8</sub>	22 <sup>1</sup> / <sub>4</sub> x 14 <sup>1</sup> / <sub>4</sub> x 16
37-676	Mesh Side/Solid Base	23 <sup>3</sup> / <sub>4</sub> x 15 <sup>3</sup> / <sub>4</sub> x 16 <sup>1</sup> / <sub>8</sub>	22 <sup>1</sup> / <sub>4</sub> x 14 <sup>1</sup> / <sub>4</sub> x 16
37-686	Solid Side/Base	23 <sup>3</sup> / <sub>4</sub> x 15 <sup>3</sup> / <sub>4</sub> x 16 <sup>1</sup> / <sub>8</sub>	22 <sup>1</sup> / <sub>4</sub> x 14 <sup>1</sup> / <sub>4</sub> x 16

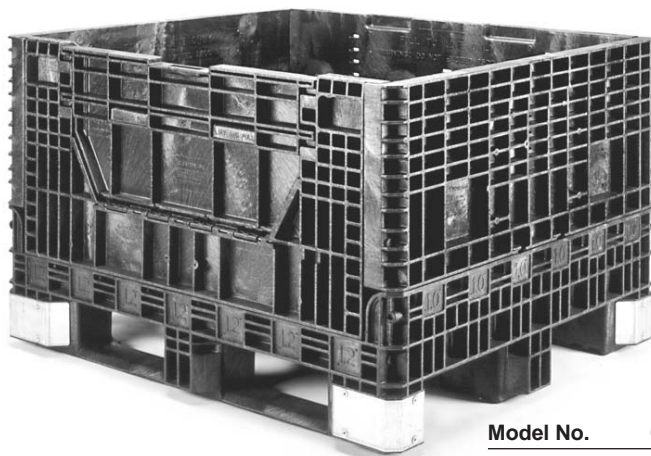
Colour: Grey



Model No.	Description	Outside Top Dim. L" x W" x H"	Inside Bottom Dim. L" x W" x H"
SW15120602	Solid Bottom/Sides	15 12 5 <sup>1</sup> / <sub>2</sub>	13 9 <sup>3</sup> / <sub>8</sub> 4 <sup>7</sup> / <sub>8</sub>
SW151208A2	Solid Bottom/Sides	15 12 7 <sup>1</sup> / <sub>2</sub>	13 9 <sup>3</sup> / <sub>8</sub> 6 <sup>7</sup> / <sub>8</sub>
SW15121002	Solid Bottom/Sides	15 12 9 <sup>1</sup> / <sub>2</sub>	13 9 <sup>3</sup> / <sub>8</sub> 8 <sup>7</sup> / <sub>8</sub>
SW24150602	Solid Bottom/Sides	24 15 5 <sup>1</sup> / <sub>2</sub>	21 <sup>3</sup> / <sub>8</sub> 13 4 <sup>7</sup> / <sub>8</sub>
SW241508A2	Solid Bottom/Sides	24 15 7 <sup>1</sup> / <sub>2</sub>	21 <sup>3</sup> / <sub>8</sub> 13 6 <sup>7</sup> / <sub>8</sub>
SW24151002	Solid Bottom/Sides	24 15 9 <sup>1</sup> / <sub>2</sub>	21 <sup>3</sup> / <sub>8</sub> 13 8 <sup>7</sup> / <sub>8</sub>
SW24151502	Solid Bottom/Sides	24 15 14 <sup>1</sup> / <sub>2</sub>	21 <sup>3</sup> / <sub>8</sub> 13 13 <sup>7</sup> / <sub>8</sub>

Colour: Grey

## Modular Bulk Containers



### The practical approach to large part/large volume material handling

Collapsible polyethylene containers with a unique latchless, safe, fast assembly system. Latchless moulded interlocking side panels and gates form continuous reinforcing ribs which add strength to high stress areas in the hinges and corners. These containers will perfectly cube a high cube trailer, stacked 3 high. Colour: Black or Blue  
Capacity: 1,800 lbs. or 2,500 lbs.

Model No.	Gates	Outside Dim." (L x W x H)	Colour	Lid No.	Capacity
BS32303420	2	32 x 30x 34	Black	TS32300200	1,800 lbs
BH48403420	2	48 x 40 x 34	Black	TH484002001	2,500 lbs
BX48453420	2	48 x 45 x 34	Blue	TS48450300	1,800 lbs
BH48453420	2	48 x 45 x 34	Black	TH484502001	2,500 lbs

# AKRO-MILS CANADA CONTAINERS

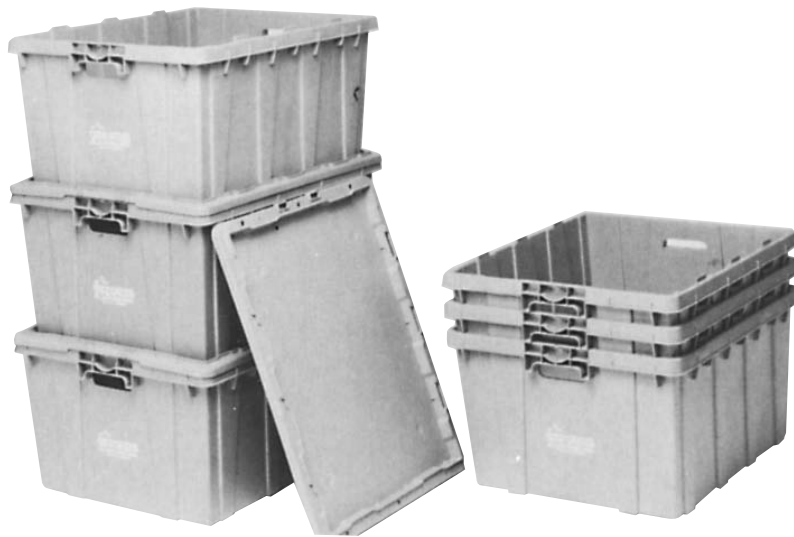
## Attached Lid Containers



Buckhorn reusable plastic containers expand your line of shipping, handling and storage of products. They are the perfect container for any application that calls for packing, storage and transporting, especially in closed loop systems. The containers are lightweight, with ergonomic handles that make lifting loaded containers easier on the hands. Containers last and last, through hundreds of trips.

Model No.	Size" L x W x H	Cu. Ft.	Wt.	Std. Cols.
AR20120702	20 12 7	0.6	3.8	Grey
AR21150902	21 15 9	1.4	5.0	Grey
AR21151202	21 15 12	1.6	6.06	Grey
AS22131202	22 13 13	1.4	6.5	Grey
AR24201202	24 20 12	2.5	7.4	Grey
AR27170902	27 17 10	1.7	7.4	Green
AR27171202	27 17 12	2.3	8.0	Green/Grey
AS28211502	28 21 15	3.9	11.8	Grey
AS34242012	34 24 19	6.0	20.3	Grey
39-085	21 $\frac{1}{2}$ 15 9	1.68	5.0	Grey
39-120	21 $\frac{1}{2}$ 15 12 $\frac{1}{2}$	2.33	6.0	Grey
39-170	21 $\frac{1}{2}$ 15 17	3.17	7.1	Grey

## Containers with Separate Lids



Buckhorn detached lid distribution containers have been in use for over 20 years. A durable design and large selection of sizes has made Buckhorn a cost effective system for picking, returnable distribution, and work in process containers, anywhere general merchandise is moved.

The 21" x 15" and 24" x 20" sized totes provide for ease of handling, and maximized pallet and trailer cube. A variety of depths assures complete use of container and trailer capacities.

Nestable when empty, stackable when used with lid.

### Detached Lid Containers

Model No.	Dimensions			Capacity Lbs.
	L"	W"	H"	
<b>21" x 15"</b>				
DL21150512	21 $\frac{3}{8}$	15 $\frac{1}{4}$	5 $\frac{3}{8}$	50
DL21150712	21 $\frac{3}{8}$	15 $\frac{1}{4}$	7 $\frac{7}{8}$	50
DL21150900	21 $\frac{3}{8}$	15 $\frac{1}{4}$	9 $\frac{9}{16}$	60
DL21151202	21 $\frac{3}{8}$	15 $\frac{1}{4}$	12 $\frac{3}{8}$	-
<b>24" x 20"</b>				
DL24200614	24	20	6 $\frac{3}{4}$	50
DL24201014	24	20	10 $\frac{3}{8}$	80
DL24201202	24	20	12 $\frac{3}{8}$	80

### Detached Lids

Model No.	Description	Dimensions		
		L"	W"	H"
<b>21" x 15"</b>				
DR21150100	Recessed Lid	21 $\frac{3}{8}$	15 $\frac{1}{16}$	1 $\frac{1}{4}$
<b>24" x 20"</b>				
DR24200100	Recessed Lid	24	20	1 $\frac{1}{16}$

# AKRO-MILS CANADA 180° STACK & NEST CONTAINERS

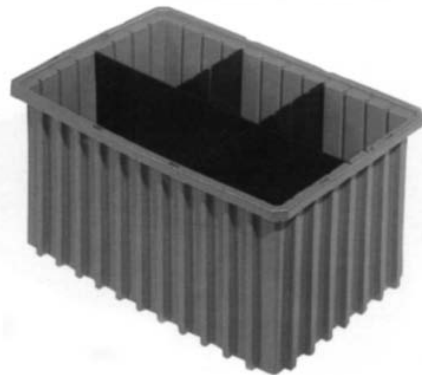
Buckhorn 180° Stack & Nest containers are ideal for storage, transfer, and shipping of various food, commercial and industrial products. With a single 180° turn, these versatile containers can be stacked for shipping or nested for compact storage. Made from high-density polyethylene, these reusable containers offer long service life, low per-trip cost and outstanding product protection. They are backed by Buckhorn's full one-year warranty.



Model No.	Colour	Outside Top Dimensions			Wt. Lbs	Lid No.
		L" x W" x H"				
SN24160800	G	24 16 <sup>1</sup> / <sub>8</sub> 7 <sup>1</sup> / <sub>4</sub>			3.42	N/A
SN20161200	G	20 16 12			2.94	N/A
SN18110600	G	18 11 5 <sup>13</sup> / <sub>16</sub>			1.48	N/A
SN21141200	G	21 14 12			4.41	N/A
SN24201302	G	24 <sup>1</sup> / <sub>16</sub> 20 13			6.02	N/A
SN29191002	G	28 <sup>3</sup> / <sub>4</sub> 18 <sup>3</sup> / <sub>4</sub> 10 <sup>3</sup> / <sub>8</sub>			5.62	N/A
FB32181201	GN	31 <sup>5</sup> / <sub>8</sub> 18 <sup>3</sup> / <sub>8</sub> 12			8.75	N/A
35180	B,G,R	18 11 6			2	35181
35185	B,G,R	18 11 9			2.43	35181
35190	B,G,R	19 <sup>1</sup> / <sub>2</sub> 15 <sup>1</sup> / <sub>2</sub> 10			3.83	35191
35195	B,G,R	19 <sup>1</sup> / <sub>2</sub> 15 <sup>1</sup> / <sub>2</sub> 13			4.39	35191
35200	B,G,R	19 <sup>1</sup> / <sub>2</sub> 13 <sup>1</sup> / <sub>2</sub> 8			3.83	35201
35225	B,G,R	23 <sup>1</sup> / <sub>2</sub> 19 <sup>1</sup> / <sub>2</sub> 10			6.13	35231
35230	B,G,R	23 <sup>1</sup> / <sub>2</sub> 19 <sup>1</sup> / <sub>2</sub> 13			10	35231
35240	B,G,R	23 <sup>1</sup> / <sub>2</sub> 15 <sup>1</sup> / <sub>2</sub> 12			6	35241
35300	B,G,R	29 <sup>1</sup> / <sub>2</sub> 19 <sup>1</sup> / <sub>2</sub> 15			11.67	35301

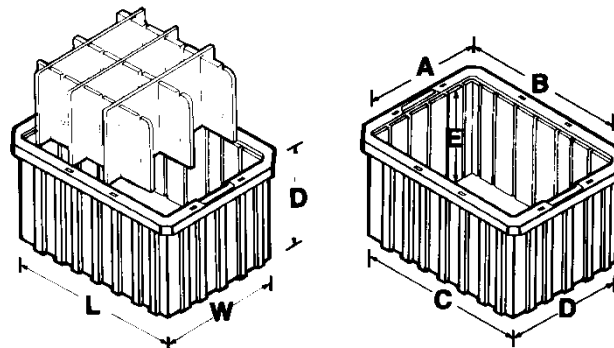
Colour Code: B = Blue, R = Red, GN = Green, G = Grey

## Grid Containers



Buckhorn Grid Containers are used to organize, store or ship small parts. Standardized containers and a variety of options make it easy to create an efficient material handling system.

Built-in divider slots allow subdividing of the containers making them more versatile.



Model No.	Outside Dimensions"			Inside Dimensions"					Capacity Cu. Ft.	Colour	Long Divider	Short Divider	Clear Lid
	L x W x H	A	B	C	D	E							
33105	10 <sup>7</sup> / <sub>8</sub> 8 <sup>1</sup> / <sub>4</sub> 5	6 <sup>11</sup> / <sub>16</sub>	9 <sup>5</sup> / <sub>16</sub>	9 <sup>1</sup> / <sub>8</sub>	6 <sup>1</sup> / <sub>2</sub>	4 <sup>5</sup> / <sub>8</sub>	0.16	R,B,G	42105	41105	33101		
33164	16 <sup>1</sup> / <sub>2</sub> 10 <sup>7</sup> / <sub>8</sub> 4	9 <sup>3</sup> / <sub>8</sub>	14 <sup>15</sup> / <sub>16</sub>	14 <sup>13</sup> / <sub>16</sub>	9 <sup>3</sup> / <sub>16</sub>	3 <sup>7</sup> / <sub>8</sub>	0.29	R,B,G	42164	41164	33161		
33166	16 <sup>1</sup> / <sub>2</sub> 10 <sup>7</sup> / <sub>8</sub> 6	9 <sup>5</sup> / <sub>16</sub>	14 <sup>7</sup> / <sub>8</sub>	14 <sup>3</sup> / <sub>4</sub>	9 <sup>1</sup> / <sub>8</sub>	5 <sup>9</sup> / <sub>16</sub>	0.44	R,B,G	42166	41166	33161		
33168	16 <sup>1</sup> / <sub>2</sub> 10 <sup>7</sup> / <sub>8</sub> 8	9 <sup>5</sup> / <sub>16</sub>	14 <sup>15</sup> / <sub>16</sub>	14 <sup>5</sup> / <sub>8</sub>	9 <sup>1</sup> / <sub>16</sub>	7 <sup>9</sup> / <sub>16</sub>	0.59	R,B,G	42168	41168	33161		
33220	22 <sup>3</sup> / <sub>8</sub> 17 <sup>3</sup> / <sub>8</sub> 10	15 <sup>1</sup> / <sub>4</sub>	20 <sup>1</sup> / <sub>8</sub>	19 <sup>7</sup> / <sub>8</sub>	14 <sup>7</sup> / <sub>8</sub>	9 <sup>7</sup> / <sub>8</sub>	1.66	R,B,G	42220	41220	33221		
33224	22 <sup>3</sup> / <sub>8</sub> 17 <sup>3</sup> / <sub>8</sub> 4	15 <sup>1</sup> / <sub>16</sub>	20 <sup>1</sup> / <sub>16</sub>	20	15	3 <sup>7</sup> / <sub>8</sub>	0.61	R,B,G	42224	41224	33221		
33226	22 <sup>3</sup> / <sub>8</sub> 17 <sup>3</sup> / <sub>8</sub> 6	15 <sup>1</sup> / <sub>8</sub>	20 <sup>1</sup> / <sub>8</sub>	19 <sup>7</sup> / <sub>8</sub>	14 <sup>7</sup> / <sub>8</sub>	5 <sup>7</sup> / <sub>8</sub>	0.96	R,B,G	42226	41226	33221		
33228	22 <sup>3</sup> / <sub>8</sub> 17 <sup>3</sup> / <sub>8</sub> 8	15 <sup>1</sup> / <sub>8</sub>	20 <sup>1</sup> / <sub>8</sub>	19 <sup>7</sup> / <sub>8</sub>	14 <sup>7</sup> / <sub>8</sub>	7 <sup>1</sup> / <sub>16</sub>	1.30	R,B,G	42228	41228	33221		