

## The Next Revolution in Void Fill Paper Packaging

- Void Fill Material Enhanced with Cushioning Support
- Waist-High Front and Back Loading
- Three Speed Settings
- Integrated Knife and Clutch Mechanism
- Easy Clipping Disposal



# FasFil™ Paper Void Fill System

Maximum Speed with Minimal Maintenance and Manpower

## Next Generation Paper Packaging

For years, paper void fill has made few significant advancements. Until now... Introducing the FasFil™ Paper Void Fill System from Sealed Air, an innovative, game-changing solution for packing operations of all sizes. Capitalizing on a variety of proprietary features, the FasFil™ system is intuitive and efficient, requiring minimal training and maintenance.



## A High-Speed System for High-Throughput Operations

The FasFil™ system delivers our exclusive crimped paper at three different speeds, to best fit your packaging environment. The crimping process not only shapes the paper but provides additional light-duty cushioning properties. Paper pads can be produced continuously at variable lengths using a foot pedal.



## Strong Environmental Benefits

TigerFill™ material is made from 100% recycled paper, and the lofted, crimped design minimizes waste by reducing the amount of packaging material needed to provide superior protection. TigerFill™ paper material is easily recycled in mixed paper streams.

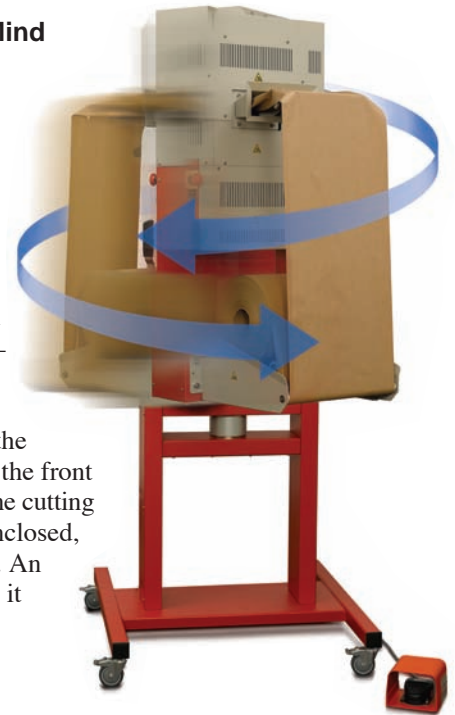
## Unique Custom Options and Features

The FasFil™ system supports two material roll widths (17" and 21") which can be easily interchanged. TigerFill™ paper material is also available in various roll lengths and basis weights. The system height is available in three options to best align with your existing conveyor system.

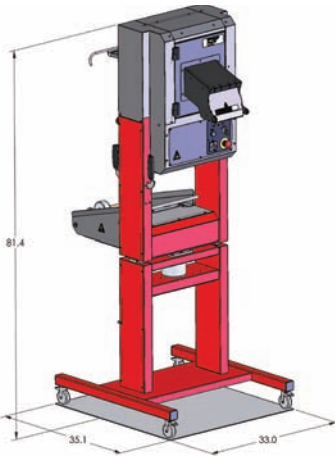


## Designed With You In Mind

The FasFil™ system was designed to create a fast and easy packaging experience, which includes reducing stress and strain on the operator. Rolls of TigerFill™ paper are loaded on the system at waist height, eliminating awkward lifting or bending. A friction-free swivel allows the system to effortlessly rotate over a conveyor, allowing the operator to load paper from the front or the back of the system. The cutting mechanism is completely enclosed, providing a safe experience. An internal clipping tray makes it easy to clean the system in mere seconds.



## Specifications

	<p><b>Electrical:</b> 110-120 V ~ Single Phase 10A A50/60 Hz</p> <p><b>Weight (without roll):</b> 380 lbs</p> <p><b>Overall Size (L x W x H):</b> Small: 35.1" x 33" x 72.9" Medium: 35.1" x 33" x 76.4" Tall: 35.1" x 33" x 81.4"</p>
--	--

Distributed By:



Protective Packaging  
301 Mayhill Street  
Saddle Brook, NJ 07663-5303  
800-648-9093 Fax: 201-712-7070  
www.fasfilssystem.com

**Our Products Protect Your Products®**

Corporate Office: Sealed Air Corporation (US)  
200 Riverfront Boulevard, Elmwood Park, NJ 07407 www.sealedair.com  
© Reg. U.S. Pat. and TM Off. © Sealed Air Corporation (US) 2009. All rights reserved. Printed in the U.S.A.  
The "9 Dot Logo" and "Sealed Air" are registered trademarks of Sealed Air Corporation (US).

D-194 Rev. 11/09